

DIMENSIONS FOR OVERALL HEIGHT AND LENGTH ARE APPROXIMATE
 OVERALL HEIGHT = 112"
 OVERALL WIDTH WITH RUB
 RAILS & FENDERETTES = 98"

(7) WHELEN 900 SUPER LED WARNING LIGHTS WITH CLEAR LENSES:
 RED / RED-WHITE / RED / WHITE / RED / RED-WHITE / RED

(5) TECNIQ S330 AMBER
 MINI-LED MARKER LIGHTS

WHELEN 600 AMBER
 LED TURN ARROWS

WHELEN PIONEER SLIMLINE
 PSL2B DUAL HEAD LED WITH
 WHITE FINISH MOUNTED TO
 FACE OF AC CONDENSER WITH
 BAIL BRACKET.

OEM POWER
 ADJUSTABLE
 MIRRORS

FLASHING HEADLIGHTS W/
 DAYTIME RUNNING LIGHTS

WHELEN 2" LED
 RUNNING BOARD
 LIGHTS

CAST PRODUCTS SIREN
 SPEAKERS IN THE BUMPER

PRE-WIRE FOR LED
 DRIVING LIGHTS

BUELL AIR HORNS

(4) WHELEN 500 LED GRILLE
 LIGHTS WITH CLEAR LENSES
 TO FLASH IN AN "X" PATTERN:
 TOP - RED/BOTTOM - WHITE

HIDDEN UNLOCK SWITCH
 IN GRILLE AREA

THIS DRAWING IS FOR REPRESENTATIONAL PURPOSES ONLY. DETAILS ARE CONCEPTUAL AND ARE SUBJECT TO CHANGE DURING DESIGN AND CONSTRUCTION
 DIMENSIONS ARE APPROXIMATE UNLESS NOTED OTHERWISE TO MEET A SPECIFIC CUSTOMER NEED.

AUTOTRONICS
 DEMO



2020 FRONT EXTERIOR VIEW
 CHIEF XL-1/F550 4x4 CHASSIS

DATE:
 3-5-21

DRAWING NO.

DWG. REV.
 AAB A

NH-DEMO-1

APPROVAL SIGNATURE:

DATE:

DIMENSIONS FOR OVERALL HEIGHT AND LENGTH ARE APPROXIMATE
 OVERALL HEIGHT = 112"
 OVERALL WIDTH WITH RUB
 RAILS & FENDERETTES = 98"

(5) TECNIQ S330 RED
 MINI-LED MARKER LIGHTS

WHELEN 900 BLUE
 SUPER LED WITH
 CLEAR LENS

LOCATION FOR
 DOOR GRABBERS

LED LICENSE
 PLATE LIGHT

DOCK BUMPERS

MUD FLAPS

WHELEN 900 AMBER SUPER LED WITH CLEAR LENS

(2) WHELEN 900 24-DIODE LED LOAD LIGHTS

WHELEN 900 RED
 SUPER LED WITH
 CLEAR LENS

REAR VIEW CAMERA

(2) WHELEN 900 RED SUPER
 LED WITH CLEAR LENSES AND
 BRAKE OVERRIDE IN LOW INTENSITY

(1) EACH SIDE, WHELEN
 600 LED BRAKE/TAIL,
 600 LED TURN
 600 LED BACK-UP

(2) WHELEN 600 RED
 SUPER LEDS WITH
 CLEAR LENSES

INDEPENDENT BUMPER WITH
 NON-SKID FLIP-UP CENTER
 STEP AND COT PROTECTOR
 ON STEP EDGE. TOW HOOKS
 LOCATED BELOW STEP/BUMPER.

THIS DRAWING IS FOR REPRESENTATIONAL PURPOSES ONLY. DETAILS ARE CONCEPTUAL AND ARE SUBJECT TO CHANGE DURING DESIGN AND CONSTRUCTION
 DIMENSIONS ARE APPROXIMATE UNLESS NOTED OTHERWISE TO MEET A SPECIFIC CUSTOMER NEED.

AUTOTRONICS
 DEMO

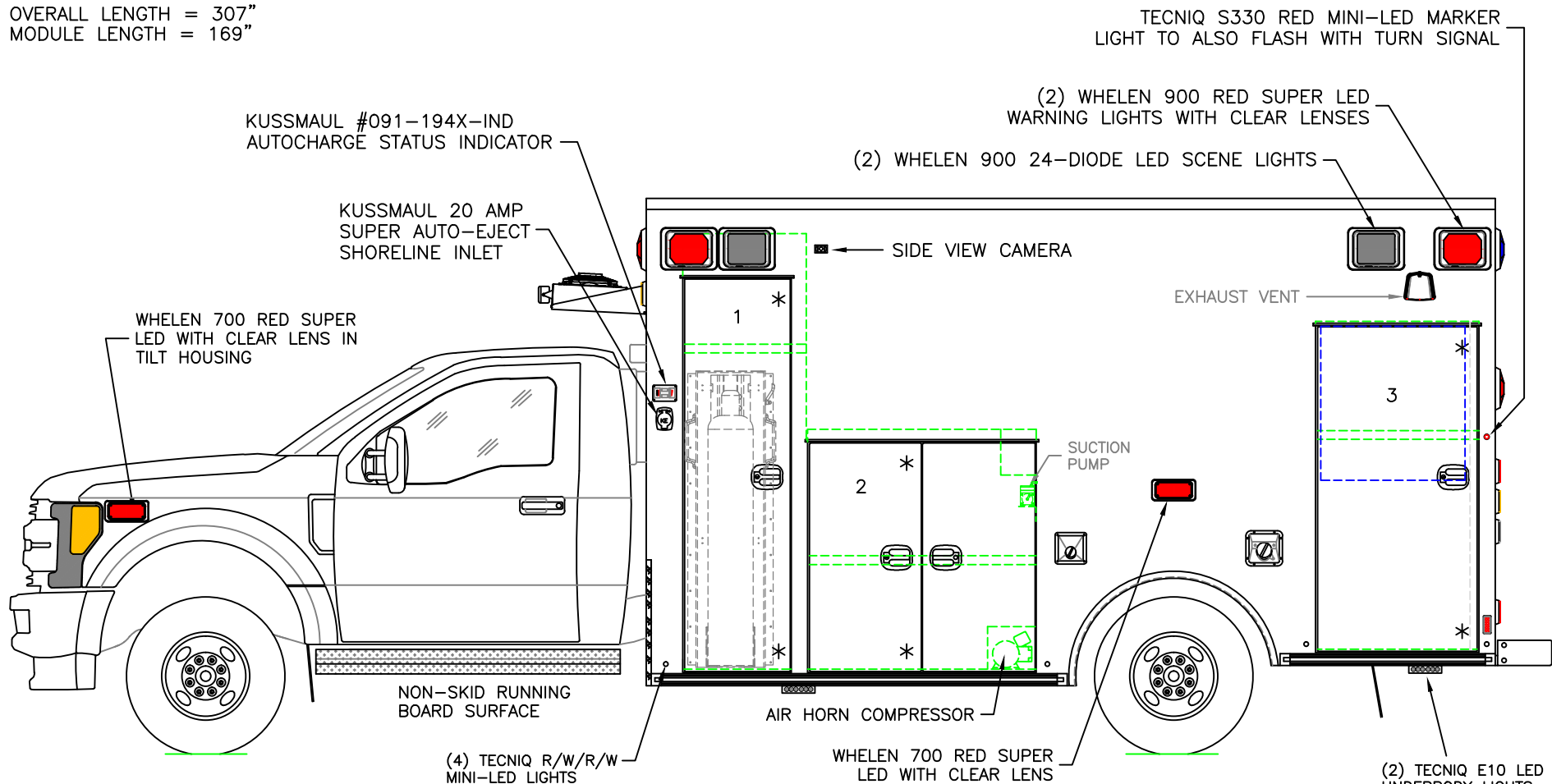


2020 REAR EXTERIOR VIEW
 CHIEF XL-1/F550 4x4 CHASSIS

DATE:	3-5-21
DWG.	AAB
REV.	A

DRAWING NO.	NH-DEMO-2
-------------	-----------

DIMENSIONS FOR OVERALL HEIGHT AND LENGTH ARE APPROXIMATE
 OVERALL HEIGHT = 112"
 OVERALL LENGTH = 307"
 MODULE LENGTH = 169"



COMPARTMENT
O.S.S #1

CLEAR OPENING: 77.00h x 18.25w
 INSIDE DIM'S.: 86.75h x 24.50w x 20.75d
 BRAUN EZ-02 OXYGEN LIFT ON INSIDE OF DOOR
 (1) ADJUSTABLE SHELF ABOVE OXYGEN

O.S.S #2

CLEAR OPENING: 44.25h x 39.50w
 INSIDE DIM'S.: 47.75h x 45.50w x 20.75d
 (1) ADJUSTABLE SHELF

O.S.S #3

CLEAR OPENING: 63.50h x 28.75w
 INSIDE DIM'S.: 65.25h x 32.50w x 20.75d
 (1) ADJUSTABLE SHELF
 TAPPING PLATE ON THE UPPER BACK WALL

- OSS DOORS TO OPEN AN ESTIMATED 120 DEGREES

* = RED MINI-LED INSIDE TOP/BOTTOM OF FORWARD-HINGED DOORS

THIS DRAWING IS FOR REPRESENTATIONAL PURPOSES ONLY. DETAILS ARE CONCEPTUAL AND ARE SUBJECT TO CHANGE DURING DESIGN AND CONSTRUCTION
 DIMENSIONS ARE APPROXIMATE UNLESS NOTED OTHERWISE TO MEET A SPECIFIC CUSTOMER NEED.

AUTOTRONICS
DEMO

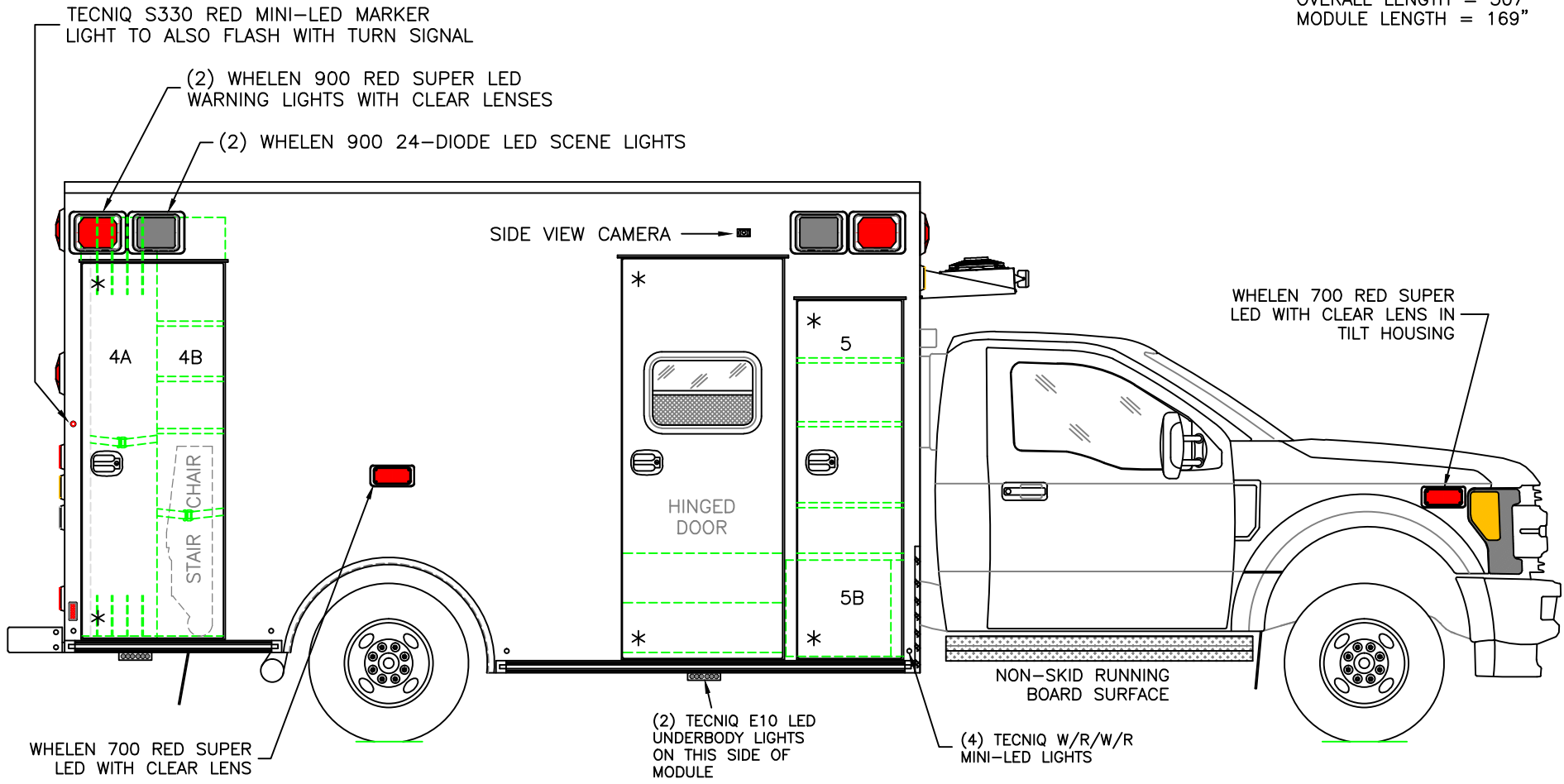


2020 STREETSIDE EXTERIOR VIEW
 CHIEF XL-1/F550 4x4 CHASSIS

DATE:
3-5-21
DWG.
AAB

DRAWING NO.
REV.
A
NH-DEMO-3

DIMENSIONS FOR OVERALL HEIGHT AND LENGTH ARE APPROXIMATE
 OVERALL HEIGHT = 112"
 OVERALL LENGTH = 307"
 MODULE LENGTH = 169"



COMPARTMENT
 O.S.S #4

CLEAR OPENING: 73.00h x 24.75w
 INSIDE DIM'S. 4A: 82.75h x 15.00w x 20.75d
 BACKBOARD/SCOOP STORAGE WITH (4) UPPER/LOWER
 ADJUSTABLE DIVIDERS, AND STRAP ACROSS OPENING
 INSIDE DIM'S. 4B: 82.75h x 13.50w x 20.75d
 (3) ADJUSTABLE SHELVES WITH INSIDE/OUTSIDE ACCESS
 STAIR CHAIR STORAGE WITH STRAP BELOW SHELVES

O.S.S #5

CLEAR OPENING: 69.50h x 17.50w
 INSIDE DIM'S. 5A: SEE PARTITION INTERIOR VIEW
 INSIDE/OUTSIDE STORAGE WITH (3) ADJUSTABLE SHELVES
 INSIDE DIM'S. 5B: 19.00h x 20.75w x 18.00d

- OSS DOORS TO OPEN AN ESTIMATED 120 DEGREES

* = RED MINI-LED INSIDE TOP/BOTTOM OF #4, #5, AND ENTRY DOORS

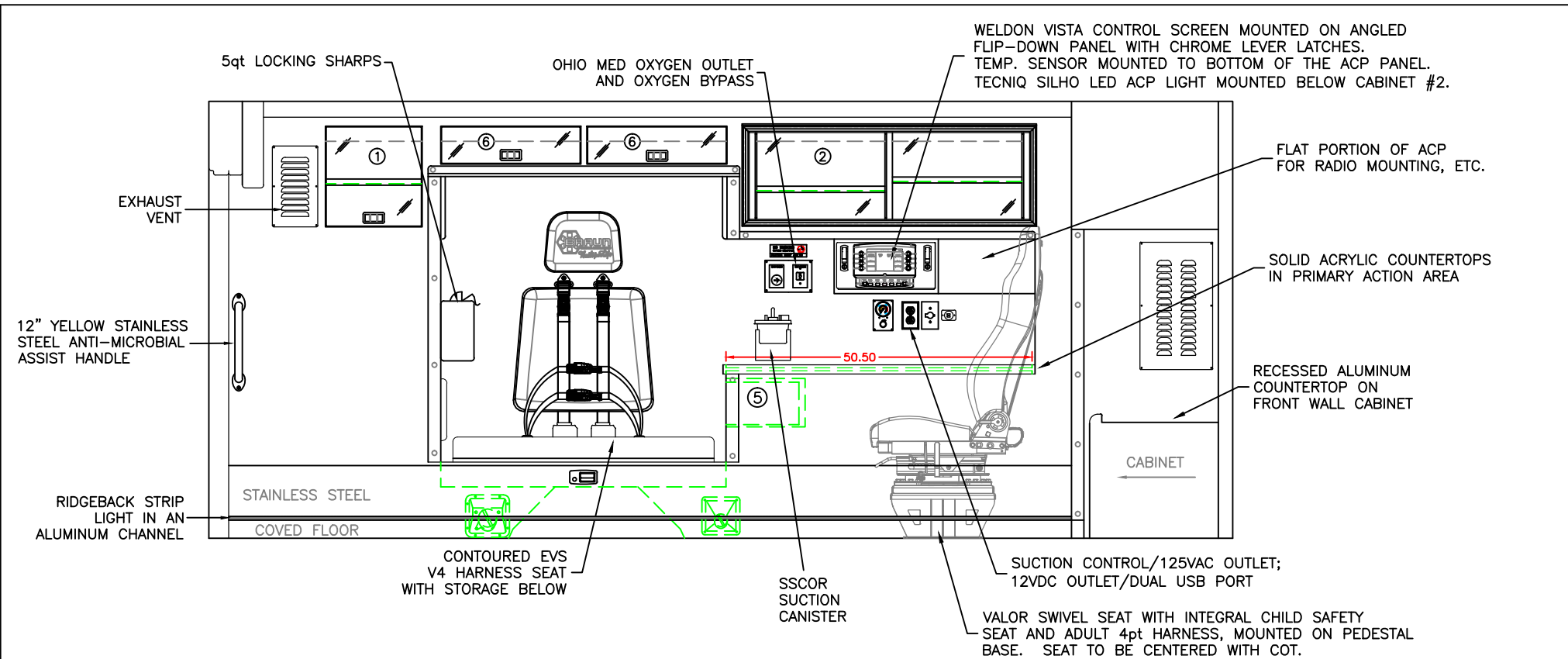
THIS DRAWING IS FOR REPRESENTATIONAL PURPOSES ONLY. DETAILS ARE CONCEPTUAL AND ARE SUBJECT TO CHANGE DURING DESIGN AND CONSTRUCTION
 DIMENSIONS ARE APPROXIMATE UNLESS NOTED OTHERWISE TO MEET A SPECIFIC CUSTOMER NEED.

AUTOTRONICS
 DEMO



2020 CURBSIDE EXTERIOR VIEW
 CHIEF XL-1/F550 4x4 CHASSIS

DATE: 3-5-21		DRAWING NO. NH-DEMO-4
DWG. AAB	REV. A	



COMPARTMENT

#1 DOOR OPENING: 16.50h x 16.00w
 INSIDE DIMS: 16.50h x 16.00w x 17.25d
 (1) ADJUSTABLE SHELF
 HINGED POLY DOOR WITH HOLD-OPENS
 CENTER SQUEEZE LATCH
 TOTAL CABINET WEIGHT RATING = 10 lbs.

#2 DOOR OPENING: 14.25h x 46.25w
 INSIDE DIMS: 16.50h x 48.00w x 17.25d
 (1) ADJ SHELF EACH SIDE OF CENTER DIVIDER
 SLIDING POLYCARBONATE DOORS
 TOTAL CABINET WEIGHT RATING = 25 lbs.

(#3 & #4 CABINETS DELETED)

#5 PULL-OUT DRAWER TOWARDS CPR SEAT
 INSIDE DIMS: 7.00h x 10.00w x 12.00d
 LOCKING STAINLESS STEEL FLUSH PULL LATCH
 TOTAL DRAWER WEIGHT RATING = 10 lbs.

#6 DOOR OPENINGS: 6.25h x 23.00w
 INSIDE DIMS: 6.25h x 23.00w x 17.25d
 HINGED POLY DOORS WITH HOLD-OPENS
 CENTER SQUEEZE LATCHES
 TOTAL CABINET WEIGHT RATING = 10 lbs. EACH

CABINETS TO BE ALUMINUM
 CABINET #2 HAS A LIFT-UP
 RESTOCKING FRAME

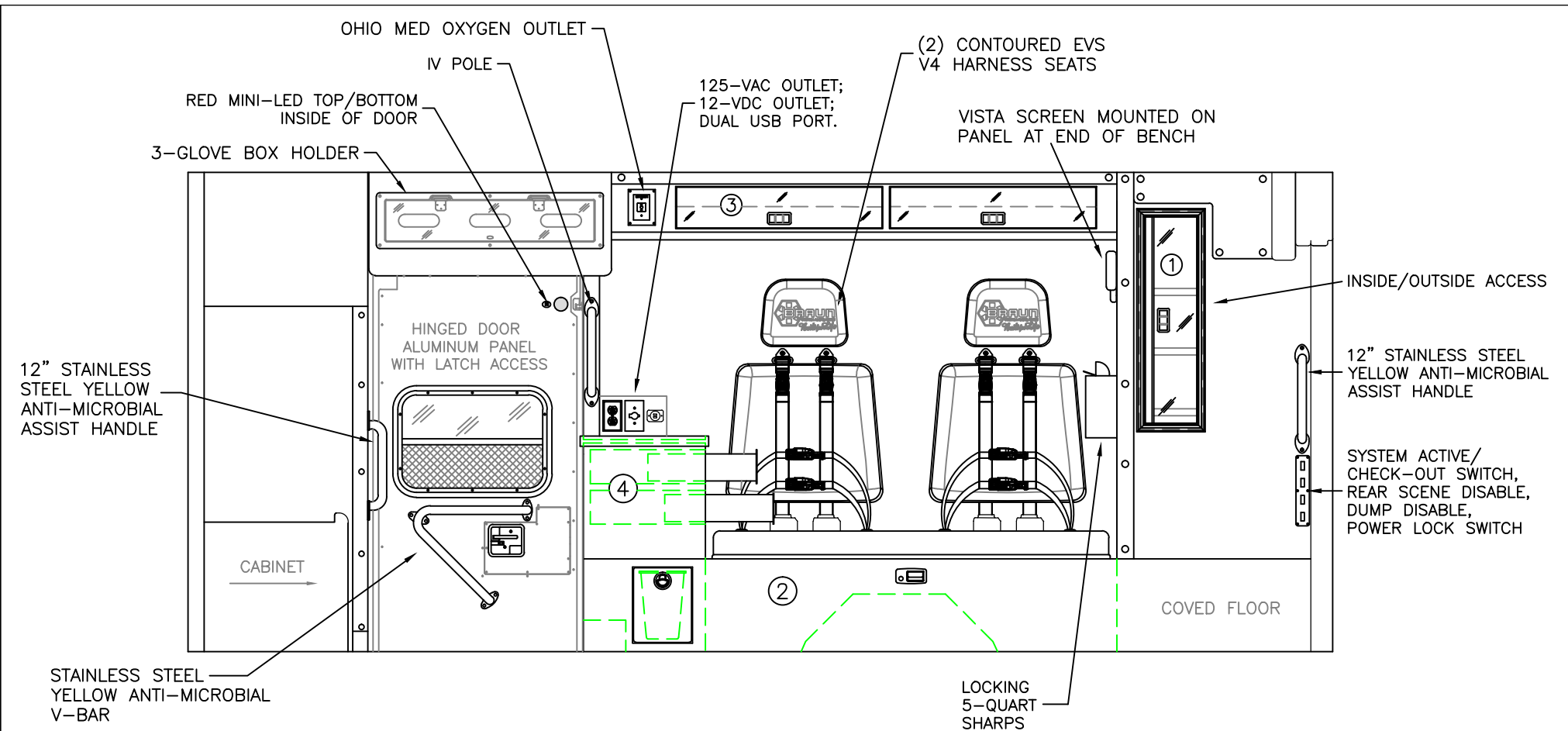
THIS DRAWING IS FOR REPRESENTATIONAL PURPOSES ONLY. DETAILS ARE CONCEPTUAL AND ARE SUBJECT TO CHANGE DURING DESIGN AND CONSTRUCTION
 DIMENSIONS ARE APPROXIMATE UNLESS NOTED OTHERWISE TO MEET A SPECIFIC CUSTOMER NEED.

AUTOTRONICS
 DEMO



2020 STREETSIDE INTERIOR VIEW
 CHIEF XL-I

DATE:	3-5-21	DRAWING NO.	NH-DEMO-5
DWG.:	AAB	REV.:	



COMPARTMENT

- #1 DOOR OPENING: 30.00h x 7.25w
INSIDE/OUTSIDE ACCESS
HINGED POLYCARBONATE DOOR WITH FULL LENGTH HANDLE AND CENTER SQUEEZE LATCH
TOTAL CABINET WEIGHT RATING = 25 lbs.
- #2 INSIDE DIM'S: 14.25h x 60.75w x 21.00d

- #3 DOOR OPENINGS: 6.25h x 30.50w
INSIDE DIMS: 6.25h x 30.50w x 10.25d
TOP HINGED POLYCARBONATE DOORS WITH CENTER SQUEEZE LATCHES
43" MINIMUM HEADROOM BELOW THE CABINET
TOTAL CABINET WEIGHT RATING = 10 lbs. EACH

- #4 - (2) PULL-OUT DRAWERS TOWARDS SEATING AREA
INSIDE DIMS: 4.00h x 10.00w x 16.00d
8qt WASTE DRAWER THAT PULLS OUT TO AISLE
LOCKING STAINLESS STEEL FLUSH PULL LATCHES
TOTAL DRAWER WEIGHT RATING = 10 lbs. EACH
COUNTERTOP TO BE SOLID ACRYLIC

CABINETS TO BE ALUMINUM

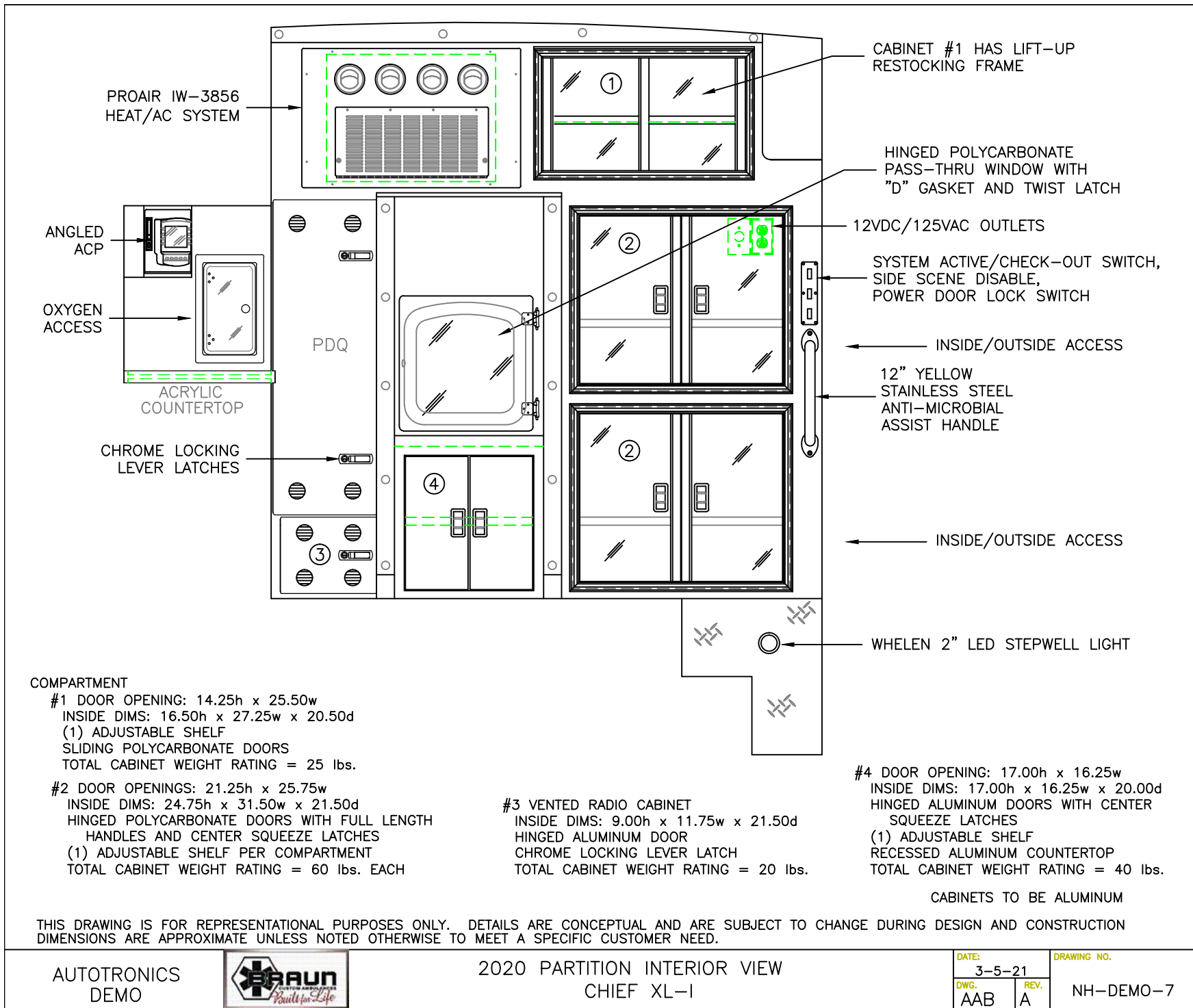
THIS DRAWING IS FOR REPRESENTATIONAL PURPOSES ONLY. DETAILS ARE CONCEPTUAL AND ARE SUBJECT TO CHANGE DURING DESIGN AND CONSTRUCTION
DIMENSIONS ARE APPROXIMATE UNLESS NOTED OTHERWISE TO MEET A SPECIFIC CUSTOMER NEED.

AUTOTRONICS
DEMO



2020 CURBSIDE INTERIOR VIEW
CHIEF XL-I

DATE: 3-5-21		DRAWING NO.	
DWG. AAB	REV. A	NH-DEMO-6	



COMPARTMENT

#1 DOOR OPENING: 14.25h x 25.50w
 INSIDE DIMS: 16.50h x 27.25w x 20.50d
 (1) ADJUSTABLE SHELF
 SLIDING POLYCARBONATE DOORS
 TOTAL CABINET WEIGHT RATING = 25 lbs.

#2 DOOR OPENINGS: 21.25h x 25.75w
 INSIDE DIMS: 24.75h x 31.50w x 21.50d
 HINGED POLYCARBONATE DOORS WITH FULL LENGTH
 HANDLES AND CENTER SQUEEZE LATCHES
 (1) ADJUSTABLE SHELF PER COMPARTMENT
 TOTAL CABINET WEIGHT RATING = 60 lbs. EACH

#3 VENTED RADIO CABINET
 INSIDE DIMS: 9.00h x 11.75w x 21.50d
 HINGED ALUMINUM DOOR
 CHROME LOCKING LEVER LATCH
 TOTAL CABINET WEIGHT RATING = 20 lbs.

#4 DOOR OPENING: 17.00h x 16.25w
 INSIDE DIMS: 17.00h x 16.25w x 20.00d
 HINGED ALUMINUM DOORS WITH CENTER
 SQUEEZE LATCHES
 (1) ADJUSTABLE SHELF
 RECESSED ALUMINUM COUNTERTOP
 TOTAL CABINET WEIGHT RATING = 40 lbs.

CABINETS TO BE ALUMINUM

THIS DRAWING IS FOR REPRESENTATIONAL PURPOSES ONLY. DETAILS ARE CONCEPTUAL AND ARE SUBJECT TO CHANGE DURING DESIGN AND CONSTRUCTION
 DIMENSIONS ARE APPROXIMATE UNLESS NOTED OTHERWISE TO MEET A SPECIFIC CUSTOMER NEED.

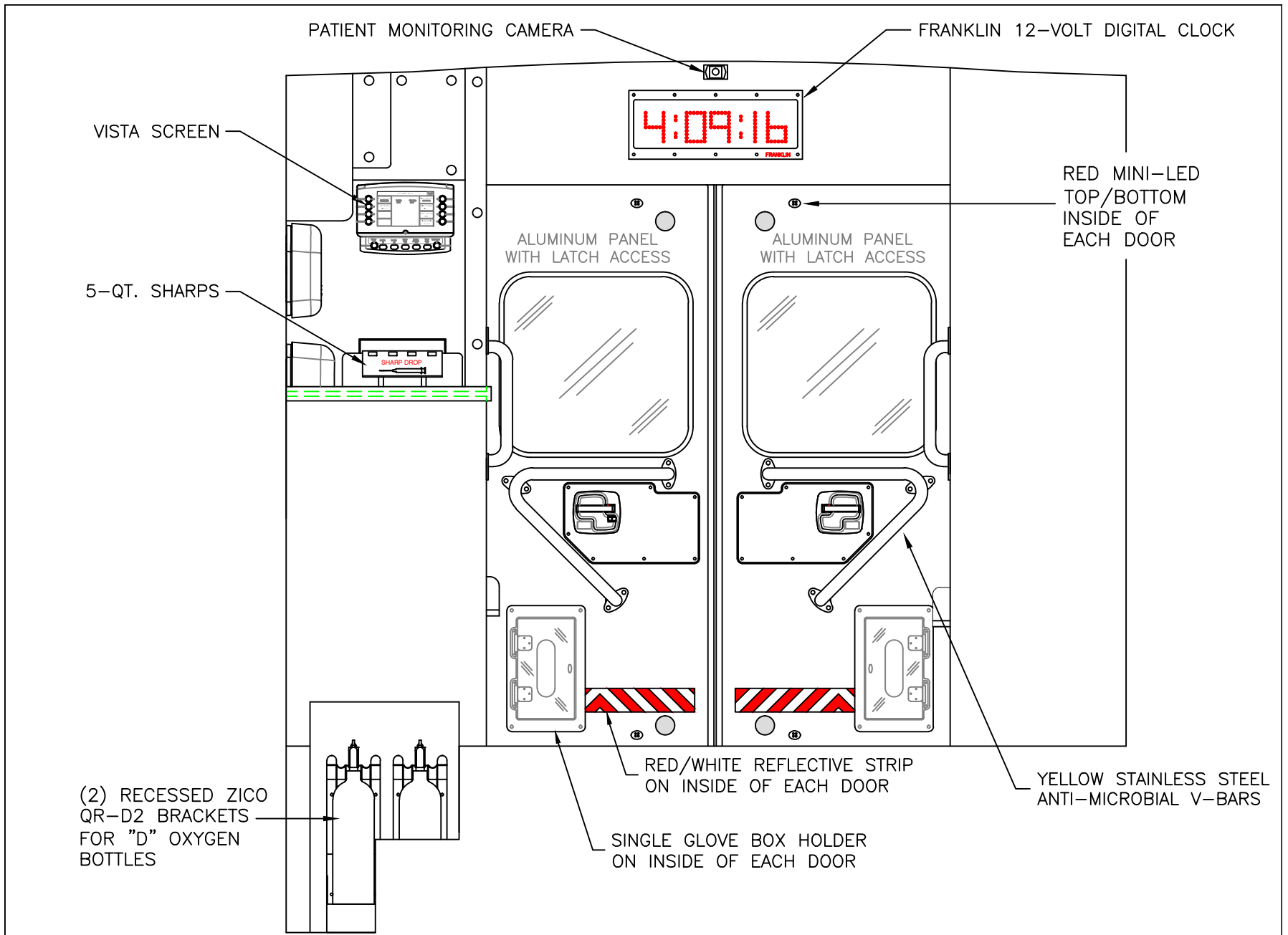
AUTOTRONICS
 DEMO



2020 PARTITION INTERIOR VIEW
 CHIEF XL-1

DATE:
 3-5-21
 DWG. AAB
 REV. A

DRAWING NO.
 NH-DEMO-7



THIS DRAWING IS FOR REPRESENTATIONAL PURPOSES ONLY. DETAILS ARE CONCEPTUAL AND ARE SUBJECT TO CHANGE DURING DESIGN AND CONSTRUCTION DIMENSIONS ARE APPROXIMATE UNLESS NOTED OTHERWISE TO MEET A SPECIFIC CUSTOMER NEED.

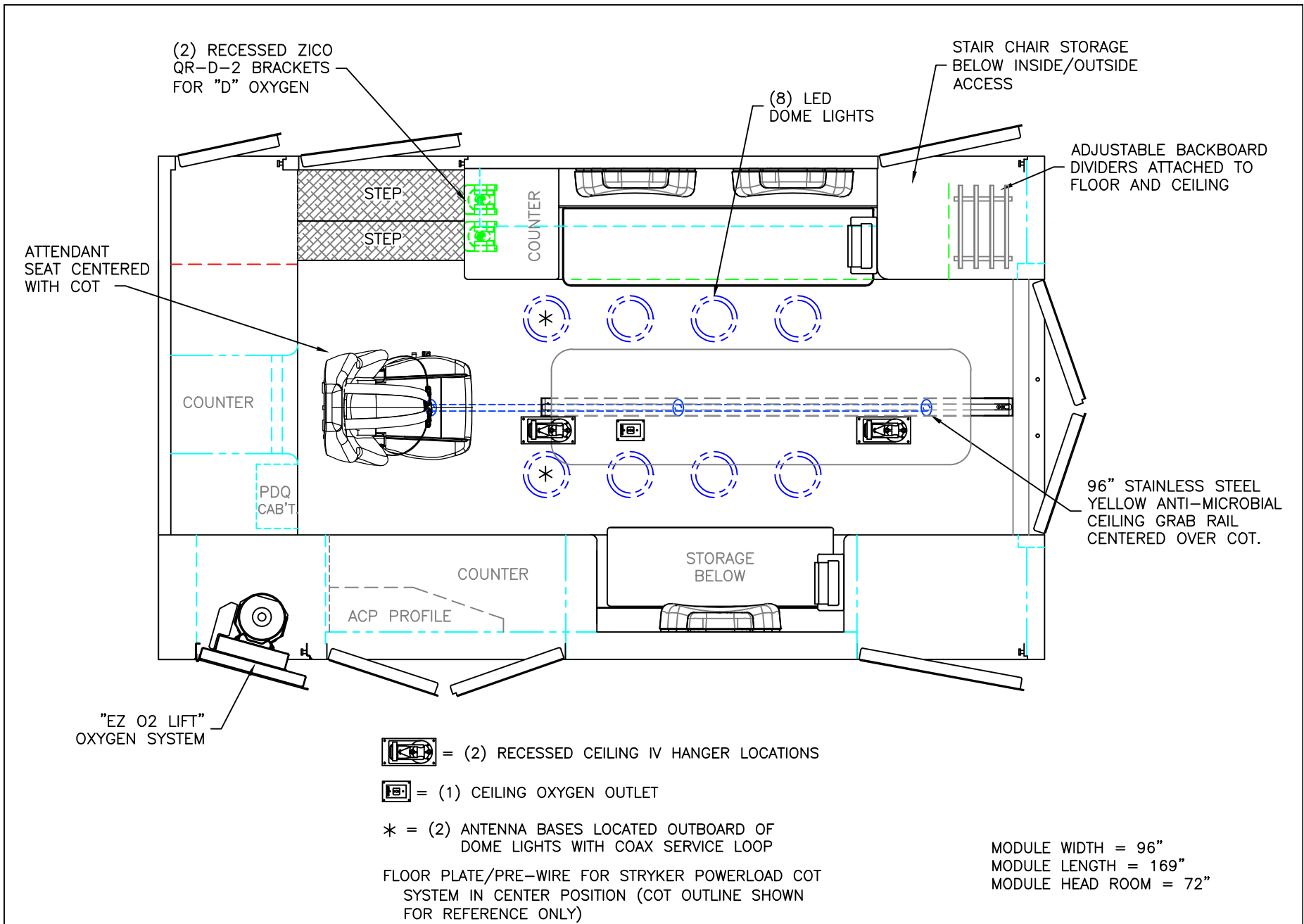
AUTOTRONICS
DEMO



2020 REAR INTERIOR VIEW
CHIEF XL-1

DATE:	3-5-21
DWG.:	AAB/A
REV.:	

DRAWING NO.	NH-DEMO-8
-------------	-----------



THIS DRAWING IS FOR REPRESENTATIONAL PURPOSES ONLY. DETAILS ARE CONCEPTUAL AND ARE SUBJECT TO CHANGE DURING DESIGN AND CONSTRUCTION DIMENSIONS ARE APPROXIMATE UNLESS NOTED OTHERWISE TO MEET A SPECIFIC CUSTOMER NEED.

AUTOTRONICS
DEMO



2020 FLOOR INTERIOR VIEW
CHIEF XL-I

DATE:	3-5-21
DWG.	AAB
REV.	A

DRAWING NO.	NH-DEMO-9
-------------	-----------